

CUSTOMERS OWN MATERIAL (COM) FABRICS / FAUX LEATHER/ LEATHER GUIDELINE

Please follow this guideline in order to guarantee smooth and satisfactory process.

1. SAMPLE TO CHECK FEASIBILITY

Please send for each cover 1 DIN A3 size sample free of charge to:

Rolf Benz AG & Co KG
 CONTRACT / *project name*
 Haiterbacherstrasse 104
 D-72202 Nagold
 Tel. +49 (0)7452 601-113

Further processing is submitted to approval of Rolf Benz.

2. FILL OUT FORM

Please send us „Processing of Customer’s own fabric/imitation leather“ form.

3. METRAGE REQUIREMENT CALCULATION

1/ UNICOLOURS / FAUX-LEATHER_ 140 CM WIDTH:	2/ DIVERGENT WIDTH / PATTERN / LEATHER:
<p>Please refer to pricelist:</p> <p>For each product below prices. Information not considering pattern!</p> <p>freistil upholstery furniture: <u>standard without considering pattern.</u> Consideration of pattern possible on demand with additional charge!</p>	<p>Please contact Rolf Benz.</p> <p>The metrage requirement will be calculated by Rolf Benz following reception of “Processing of Customer’s own fabric/faux-leather” form. This may cause a significant increase in the amount required!</p>

4. COVER DELIVERY

Please send covers free of charge to following address. Project and customers name must be mentioned.

The right side (upper side) of the fabric must be marked on the fabric itself.

Rolf Benz AG & Co KG
 Attn Frau Spitzer / CONTRACT_PROJECT NAME_CUSTOMER
 Iselshauer Str. 60
 D-71159 Mötzingen
 Tel. +49 (0)7452 601-653

PROCESSING OF CUSTOMERS OWN FABRIC/IMITATION LEATHER

PROJECT:	DATE:
DESIGNER:	
CONTACT PERSON (NAME, TELEPHONE, E-MAIL):	
PRODUCT:	QUANTITY:

In order to calculate the reference requirement for the order, we require certain details regarding the fabric/imitation leather and the desired manner of processing:

Fabric Imitation leather Roll width: _____ cm

PROCESSED AS PLAIN FABRIC/WIDTH 140 CM
 Plain fabric or processed like plain fabric, without considering patterns (optimal utilisation of the fabric surface).
 → The amount of metres required is specified in the price list.
 No further information required.

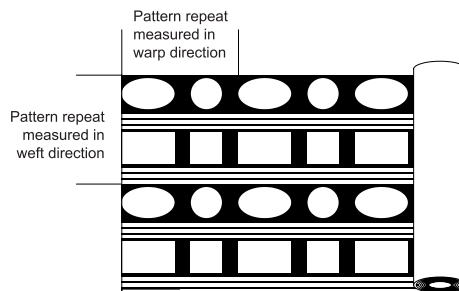
NOT PROCESSED AS PLAIN FABRIC/DIFFERENT WIDTH
 The following questions must be answered to determine the correct amount of metres required and to ensure that the fabric is processed correctly.

PROCESSING OF PATTERNS

Processing to pattern (as a rule, this will require more fabric)

Pattern repeat in warp direction _____ cm

Pattern repeat in weft direction _____ cm

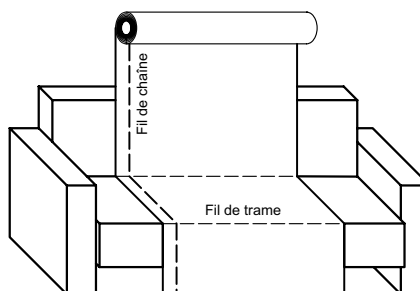
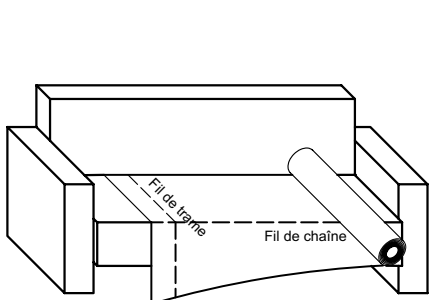


Additionally, processing **taking into consideration pattern motifs** (figures, flowers, etc.) is required, i.e. the main motif must appear, say, in the centre of each of the back cushions. **Depending on the length of the pattern repeat, this can, in some cases, give rise to a significant increase in the amount of fabric required.**

PROCESSING DIRECTION

As a rule, at Rolf Benz, fabric is processed with the selvedge parallel to the front edge of the seat, and the bolt of material is unrolled from left to right.

Please cross here if, due to the pattern (direction of stripes, orientation of a motif, etc), the fabric should be processed vertically. Generally, this will mean that additional dividing seams are necessary.



Processing

The cover shall be processed without the performance of any checks for faults or serviceability. Fabrics which are particularly elastic or which are loosely-woven, and so cannot be reliably sewn, are unsuitable for upholstery purposes. Unsuitable covers submitted without having been checked will not be processed, and will be returned at the sender's cost.

Warranty

In accordance with our General Terms and Conditions, warranty claims for COM orders are restricted to overall workmanship of the model, excluding coverings.

**ROLF
BENZ**

CONTRACT